

KÄRCHER

makes a difference



BOOSTER PUMPS.

Efficient water supply for house and garden.

BOOSTER PUMPS FROM KÄRCHER: SIMPLY CLEVER!

The Kärcher Booster Pump range provides the ideal conditions for luscious plant growth and an efficient and convenient supply of service water for home and garden. The Booster Pumps allow you to access alternative water sources with optimum results (for example watering the garden or flushing the toilet). Multistage hydraulics ensure that Kärcher submersible pressure pumps can pump well water, ground water, rain water and spring water with the necessary pressure. The Kärcher barrel pump allows you to water your garden in an ecologically responsible way directly from your water barrel.





BOOSTER PUMPS

A RELIABLE PROCESSED WATER SUPPLY.

A glance at the latest water bill will show that drinking water is becoming more and more expensive. So why not use low-cost water from alternative sources? Booster Pumps from Kärcher offer the right solution for every purpose. Rainwater and groundwater are best used in the washing machine, for flushing the WC and for watering the garden. The result: a reliable processed water supply – and a good feeling.

- Booster Pumps**
- 6 Garden pumps
 - 8 Home & Garden pumps
 - 10 Barrel pump
 - 11 Deep well pumps
 - 12 Cistern pump
- 14 Accessories



Use water sensibly

Home and garden pumps in the BP Home & Garden range are high powered and also offer great convenience: They are most suited to garden watering and the supply of water to WCs and washing machines in the home.

Deeply impressive

Thanks to Kärcher's compact and powerful stainless steel submersible pressure pumps, you can even use deeper water sources, such as cisterns and deep wells, conveniently and in a resource-friendly manner. The multistage hydraulics system ensures sufficient pressure.

POWERFUL PACKAGES THAT ARE EASY TO OPERATE.

The powerful Kärcher garden pumps are ideal for watering the garden using water storage facilities such as cisterns or water butts. The practical foot switch provides extra comfort. The thermal protection on the BP 4 garden pump protects against overheating whilst increasing both the safety and the operating life of the pump.



No need to bend over

Thanks to the large foot switch, the pump can be switched on and off in a way that is gentle on your back.

Ready to use

The BP 4 Garden Set complete with connectible vacuum-resistant spiral hose with suction filter and non-return valve.



BP 4 Garden Set

- Comfortable carry handle
- Optimised connection adaptor requires no tools for set-up
- Maximum safety thanks to the integrated thermal protection for a long operating life
- Direct use thanks to the 3/4" spiral hose supplied including filter and non-return valve (G1 connection thread, 3.5 m)



reddot award 2014
best of the best



THE PERFECT PUMP FOR HOME AND GARDEN.

Whether in the house or in the garden – Kärcher's durable, intelligent and high-quality pumps are perfectly suited to using processed water supplies such as rainwater. The pumps switch on automatically – and then off again – as required. The ecologic models are particularly energy-saving because they use no energy at all in stand-by mode.



Comfort for home and garden

The pumps provide a reliable water supply for washing machines while also generating constant pressure for even garden watering.

Twice as practical

The 2-way connection adaptor allows you to use two water outlets, for example one for manual application with a spray gun and one for watering the lawn using sprinklers

BP 7 Home & Garden ecologic

- Perfect for home & garden
- Extra long lifetime
- Multistage for improved energy efficiency (30% energy saving**) and noise levels.
- Additional energy saving thanks to the 0-watt stand-by mode



reddot award 2014
best of the best



* By registering at www.kaercher.com/guarantee, you can extend your guarantee to 5 years.
** In comparison with jet pumps, based on the volume of water pumped.

UTILISING AND CONSERVING RESOURCES.

The innovative Kärcher barrel pump with an integrated on/off switch on the barrel mounting clamp makes it easy, efficient and economical to water your garden with soft and nutrient-rich rain water. The benefits are clear to see: You no longer need to lift heavy watering cans. No consumption of valuable drinking water. No unnecessarily high water bills.



BP 1 Barrel

- 400 watt max.
- Pumping rate of 3,800 l/h max.
- Pressure 1.1 bar max.
- Suitable for any water butt due to flexible drum attachment
- Height can be adjusted individually
- Integrated on/off switch
- Detachable prefilter
- Easy to convert into submersible pump due to floating switch



Focus Green Silber 2008



Innovative and convenient

The innovative water barrel mounting clamp and a length-adjustable hose ensures for best manageability.

Practical and safe

On and off switch on the water barrel mounting clamp helps save energy because the pump does not run constantly. There is no need to plug in and unplug the pump.

HIGH PERFORMANCE AT GREAT DEPTHS.

Thanks to Kärcher's compact and versatile stainless steel submersible pressure pumps, by connecting a pressure switch you can use even deep wells for your processed water supply, in the house or for resource-conserving watering. The multistage hydraulics ensure that well water, ground water and spring water can be pumped with sufficient pressure, even from deep-lying areas.

BP 6 Deep Well

- Pump housing and threaded connector made from stainless steel.
- 3/4" and 1" hose connection piece including non-return valve and hose clamp
- Integrated spacer base to assist with installation
- Separate on/off switch at the end of the cable
- Includes 30 m power cable and fastening rope



Easy to use

The Deep Well Box provides overcurrent protection and is equipped with an on/off switch that is easy and safe to operate.

30 m maximum depth range

Thanks to its extra long cable (30 m), the BP 6 Deep Well can pump water from even the lowest depths. Fastening rope included.

DEEPLY IMPRESSIVE IN THEIR POWER AND QUALITY.

The BP Cistern submersible pressure pump makes it possible to obtain water from alternative sources such as cisterns, water butts and wide well-shafts and is ideally suited to garden watering. The pump works underwater and switches off automatically if the water level becomes too low.

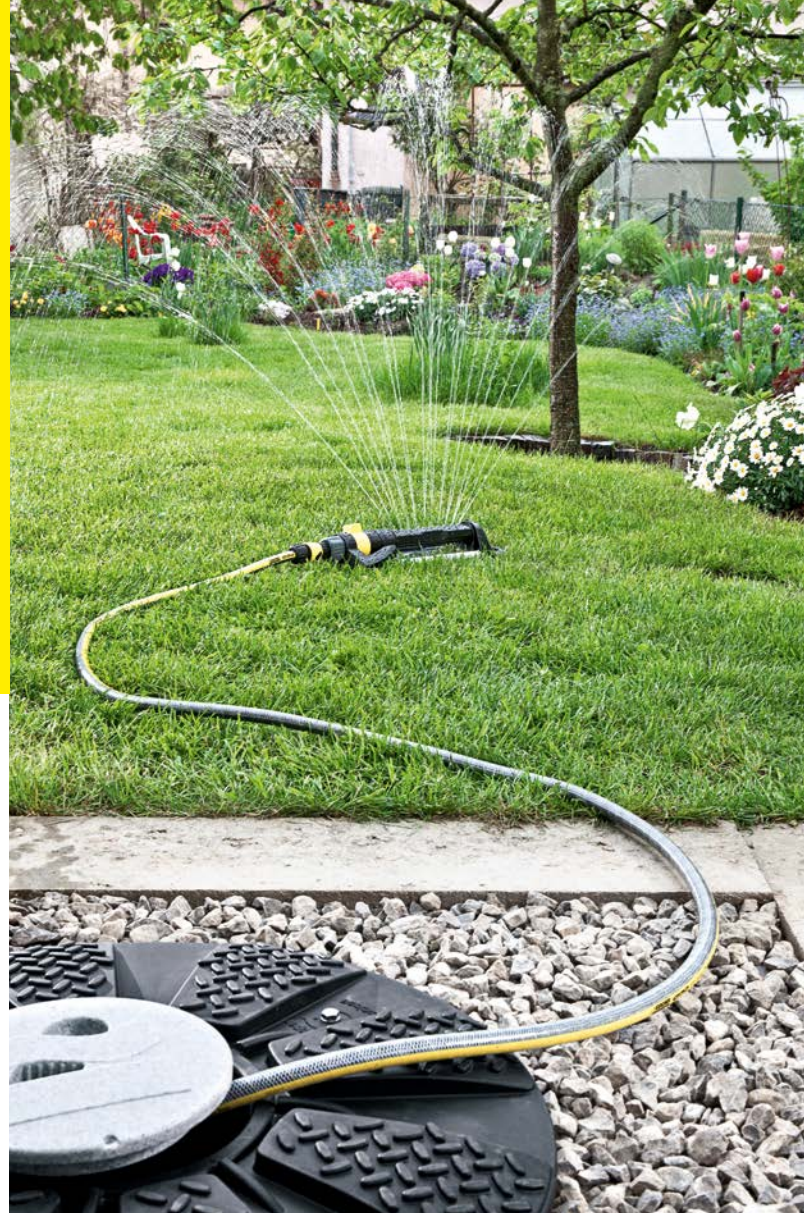


Safe and robust

Casing and threaded connector made from stainless steel ensure that Kärcher submersible pressure pumps are impact-resistant and durable.

Switching made easy

By means of the integrated float switch and its mounting on the handle, the switching level is easy to adjust as required.



BP 2 Cistern

- Max. flow rate 5,700 litres per hour
- Max. pressure 3.2 bar
- Pump housing and threaded connector made from stainless steel
- 3/4"- and 1" hose connection piece including non-return valve and hose clamp for immediate connection



WELL EQUIPPED ALL AROUND WITH KÄRCHER.

With the right combination of accessories from Kärcher, pumps can be put into operation quickly and easily. Vacuum-resistant spiral hoses, suction kits, prefilters, adaptors, dry-run protection, electronic pressure switches – the comprehensive range of accessories ensures that each task in house and garden can be optimally designed. Water from alternative sources can be utilised in the most efficient and resource-conserving way possible.



Safe and fits perfectly

The vacuum-proof spiral hose for connecting to Kärcher pumps can be obtained as a set or cut to length for individual adaptation.



The best connections

Kärcher adapters and connectors make it possible to connect the hoses easily and securely to the respective pumps.



Optimal protection

Filters protect the pumps from dirt and blockages while ensuring unlimited performance. Kärcher provides the right filter for every application.



Perfectly equipped

The right accessories from dry run cut-out to the pressure compensation hose ensure convenience and reliability of use.

CALCULATION OF THE PUMP CAPACITY.

The decisive criteria here are the flow rate and delivery pressure (= delivery height). You can use the calculated values to select the most appropriate pump from the pump performance curve. Example for the calculation of the right BP Home & Garden pump:

Q = flow rate

1. You must first determine the total volume of water required for all of the other points of use that require water at the same time. The guidelines for consumption are: Toilet flushing cisterns = 4 l/min, washing machine = 10 l/min, watering the garden = 10 l/min per sprinkler, cleaning work = 8 l/min.
2. The consumption values that are to be used simultaneously, must be added together. (Example: use of the washing machine, plus the use of two sprinklers, while also carrying out cleaning work => 10 l/min + 2 × 10 l/min + 8 l/min = 38 l/min).
3. However, since the points of use are not constantly in use, only 50 % of the total consumption is taken into account as a usage factor. (Example: => 38 l/min × 0.5 = 19 l/min. This means a demand of roughly 1,150 litres per hour; 19 l/min × 60 min).

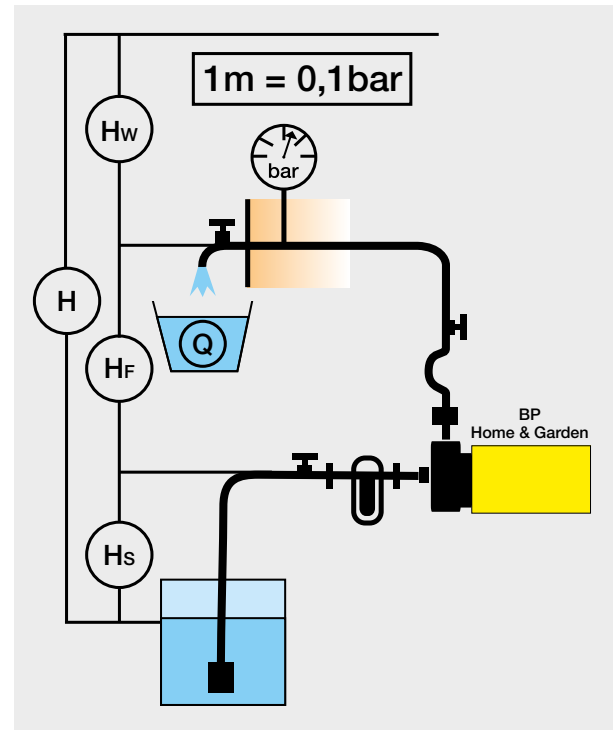
H = Required pump pressure/delivery height

The delivery height required for the pump combines the suction height HS + pumping height HF + required operating pressure in water column metres HW. An additional 15% is added at the end to compensate for any loss in performance.

1. The suction height (HS) is the height difference between the lowest water level to the pump (Example: water level in the cistern is 4 m below the pump).
2. The maximum pump height (HF) is the difference in height between the pump to the highest water supply point (Example: 1 × WC flushing tank is on the second floor at a height of 5 m from the pump).
3. Any value from 1.5 bar is usually sufficient for the minimum operating pressure (HW). This value must be converted into water column metres (0.1 bar = 1 metre) (Example: 1.5 bar × 10 = 15 m).
4. Friction losses and resistance in the pipelines are factored in with a value of 15 % (line resistance). (Sample calculation: Required lifting height (H) = 4 m + 5 m + 15 m = 24 m + 15% = 27.6 m).

RESULT OF EXAMPLE CALCULATION.

For the example, you must choose a pump that delivers at least 1,150 l/h with a 27.6 m delivery height. The power of a BP 3 Home & Garden is required here.



$$Q = V1 + V2 + V... \times 50\%$$

Q = required capacity of the pump
V1, V2, V... = outlets
50% = usage factor

$$H = (HS + HF + HW) + 15\%$$

H = required delivery height of the pump
HS = suction height
HF = pump height
HW = working pressure in meters of the water head (mWS)
15% = conduction losses due to length of pipe, connections u.a.

Head Office Germany

Alfred Kärcher GmbH & Co. KG
Alfred-Kärcher-Straße 28-40
71364 Winnenden

Phone +49 7195-14-0
Fax +49 7195-14-2212
www.kaercher.com

North America

Kärcher North America
4555 Airport Way
Denver, CO 80239
U.S.A.

Phone +1 303-738-5805
Fax +1 303-738-2758
www.karcherna.com

United Kingdom

Kärcher (UK) Ltd.
Kärcher House
Beaumont Road
Banbury
Oxon OX16 1TB

Phone +44 1295-752-000
Fax +44 1295-267-511
www.karcher.co.uk

Ireland

Kärcher Ltd.
Unit 4
E.P. Mooney Business Park
Walkinstown Avenue
Dublin 12

Phone +353 1-409-7777
Fax +353 1-409-7775
www.karcher.ie

Southeast Asia

Regional Head Office
Southeast Asia
Kärcher South East Asia
Pte. Ltd.
3 Depot Close #01-01
Singapore 109840

Phone +65 6897 18 11
Fax +65 6897 16 11
www.karcher.com.sg

Hong Kong

Kärcher Limited
Unit 05, 13/F, Nanyang Plaza
57 Hung To Road
Kwun Tong, Kowloon

Phone +852 2-357-5863
Fax +852 2-357-5632
www.karcher.com.hk

Australia

Kärcher Pty. Ltd.
40 Koornang Road
Scoresby VIC 3179
Melbourne, Victoria

Phone +61 3-9765-2300
Fax +61 3-9765-2398
www.karcher.com.au

New Zealand

Kärcher Ltd.
66 Allens Road
East Tamaki
Auckland 2013

Phone +64 9-274-4603
Fax +64 9-274-6932
www.karcher.co.nz

South Africa

Kärcher (Pty) Ltd.
Cnr. Mount Joy
& George Allen Rd.
Wilbart Ext. 2
P.O. Box 11818
Vorna Valley, 1686

Phone +27 11 657 7300
Fax +27 11 657 7440
www.karcher.co.za

Dubai

Kärcher FZE
Quality Cleaning Systems
Jebel Ali Free Zone
Plot No. S-10104 South Zone
RA 08, XB 1, Jebel Ali

Phone +971 4-886-1177
Fax +971 4-886-1575
www.kaercher.com