

KÄRCHER

makes a difference



THE INDUSTRY SPECIALISTS.

Robust. Versatile. Fully hydraulic.

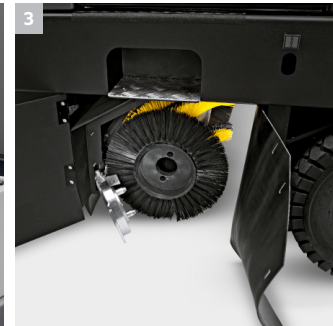
Totally efficient. Endurance meets economy.

A new class of ride-on sweepers has arrived for industrial use. With an environmental friendly battery or Lpg drive, robust steel chassis, impact-protected side brushes and fully hydraulic operation of all functional units. Rigorously designed for efficiency and reliability, with high-quality components. Drive performance, filter and sweeping performance, load capacity and design - these sweepers are in a class of their own. With the exemplary ergonomics and ease of use you expect from Kärcher. The KM 130/300 R and KM 150/500 R gives contract cleaners, industry, logistics and municipalities exactly what they need. Both models can be equipped to tackle the demands of practically any cleaning job.



Robust steel chassis and three-wheel chassis and suspension with low center of gravity mean that all sweepers in this class feature safe handling, driving comfort and excellent maneuverability. The intuitive Kärcher EASY Operation System makes the machine easy to use and prevents incorrect operation. The operator only needs to control one switch for all sweeping functions.

For individual customer requirements and cleaning tasks, there is a wide range of attachment kits and tools to choose from: from second side brush to canopies with or without windscreen or a side brush cover to reduce dust becoming airborne.



1 EASY Operation: multi-information display

The Kärcher EASY Operation concept has self-explanatory symbols for intuitive use and preventing incorrect operation. All displays are in the operator's field of vision and can be read at a glance. A comfortable and ergonomic operator workplace ensures greater safety and productivity.

2 Lasting power: choose from LPG or Battery

The KM 130/300 and the KM 150/500 are operated with battery or LPG power, for emission-free, quiet and long periods of uninterrupted use.

3 Flexible Footprint System

The Flexible Footprint System combines the advantages of rigid and floating roller brushes. The roller brush, which adapts to any unevenness in the surface, can be operated with variable contact pressure. For great cleaning results with minimum wear and tear.

4 Container lift

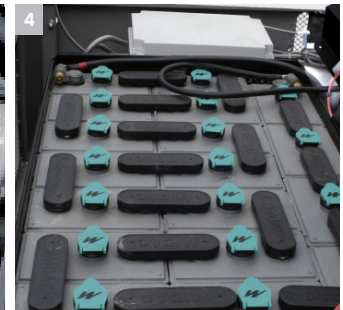
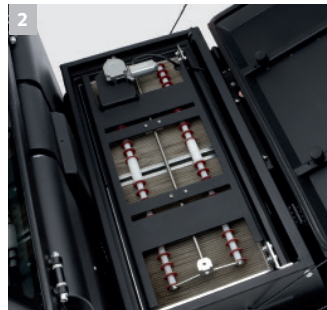
For quick and easy emptying of the waste container, both machines have a hydraulic container lift. The dirt can be emptied at various heights, whether onto the ground in a yard, or directly into a container.

KM 130/300 R



High capacity and power for heavy-duty use.

This powerful sweeper with fully hydraulic traction drive and sweeping system cleans all industrial surfaces effortlessly - from fine dust to construction waste. High working and transport speed and simple no-tools brush roller replacement shorten prep times and increase efficiency. The battery version KM 130/300 R Bp ensures professional cleanliness even in noise-sensitive indoor areas.



1 Rugged construction

- Solid steel frame.
- Fully hydraulic traction drive.

2 Efficient long-life filter

- Flat fold filter with 59 ft² filter area.
- Effective filter cleaning with dual scraper for dust free sweeping.

3 User-friendly design

- Easy-Operation design.
- Easy to get in and out.
- Extremely service-friendly.

4 Long run times

- Battery-drive.
- Lpg for indoor and outdoor use.
- Emission-free and environmental friendly.
- Low-noise level.

KM 150/500 R

NEW



Maximum performance for the toughest jobs.

Built up for the toughest jobs with its robust steel chassis, durable and reliable components and an outstanding dust filter system, this machine fits well in heavy duty industrial environments. If a low noise level or emission-free work is required the battery or LPG versions are the only ones in the market in this size range. The KM 150/500 enables high working and transport speeds, low-maintenance, fully hydraulic traction drive and sweeping system.



1 Efficient filter system

- Flat fold filter with 75 ft² filter area.
- Effective filter cleaning with dual scraper for dust free sweeping.

2 Comfortable workplace

- All controls are clearly arranged and easy to reach.
- All displays in operator's field of vision.

3 Easy to service

- Perfect access to service relevant parts.
- Main roller brush and filter can be replaced without tools.

4 Long run times

- Battery and LPG-drive.
- Emission-free and environmental friendly.
- Low-noise level.

Technical Data and Equipment.



KM 130/300 R Lpg

- Easy roller brush replacement without tools
- Fully hydraulic drive and sweeping system
- High working and transport speed

Technical data

Drive		Four-stroke Lpg engine - Kubota
Power		17.5 kW
Max. area performance - 2 SB	ft² / h	139,932 (13,000 m ² /h)
Working width - main broom	inches	39 (1000 mm)
Working width with 1/ 2 brushes	inches	51 (1300mm) / 61 (1550 mm)
Waste container capacity	gallons	81 (300 l)
Climbing capacity	%	18
Working speed	mph	6 (10 km/h)
Filter area	ft²	59 (5.5 m ²)
Weight	lbs.	1,875 (850 kg)
Dimensions (L x W x H)	inches	81" x 52" x 56" (2150 mm x 1330 mm x 1430 mm)

Equipment

Product	Order No.	Description
KM 130/300 R Lpg	9.841-398.0	51" ride-on sweeper with Lpg engine

Standard Accessories (included)

Order No.	Description	Image
6.987-438.0	Main Roller Brush, regular, 39" (1000 mm) - standard for Bp machine	
4.515-328.0	Front Wheel, solid rubber, puncture-proof, non-marking (set of 2)	1
6.988-158.0	Flat pleat filter, green, standard	
6.987-083.0	Side Brush, regular	

Accessories.



Optional Accessories

Order No.	Description
6.987-439.0	Main Roller Brush, hard, 39" (1000 mm)
6.987-460.0	Main Roller Brush, soft, 39" (1000 mm)
6.987-440.0	Main Roller Brush, soft, natural 39" (1000 mm)
8.638-972.0	Left Side Broom Kit. Factory install only.
6.987-519.0	Flat pleat filter, white
4.515-332.0	Front Wheel, pneumatic (set of 2)
8.636-955.0	Overhead Guard. Factory install only.
8.636-956.0	Overhead Guard w/windscreen & wiper. Factory install only.
8.636-889.0	Dust control cover for side brush. Factory install only.
6.905-773.0	Side Brush, hard
6.905-620.0	Side Brush, soft
6.905-619.0	Side Brush, hard steel bristles
8.636-953.0	Front/Rear Light kit. Factory install only.
8.636-957.0	Closed Cab w/plastic curtains. Factory install only.
8.640-256.0	Comfort Seat
8.640-208.0	Seat Belt
8.638-973.0	Water spray dust control system. Factory install only.

Technical Data and Equipment.



KM 150/500 R Lpg

- Easy roller brush replacement without tools
- Fully hydraulic drive and sweeping system
- High working and transport speed

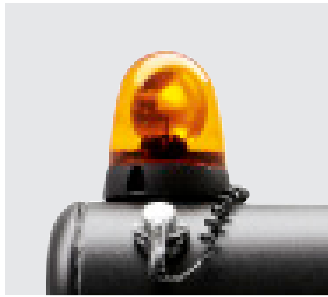
Technical data

Drive		Four-stroke Lpg engine / Kubota
Power		22 KW
Max. area performance - 2 SB	ft² / h	193,752 (18,000 m ² /h)
Working width - main broom	inches	47 (1200 mm)
Working width with 1/ 2 brushes	inches	59 (1500 mm) / 71 (1800 mm)
Waste container capacity	gallons	132 (500 l)
Climbing capacity	%	18
Working speed	mph	7 (12 km/h)
Filter area	ft²	75 (7 m ²)
Weight	lbs.	3,119 (1,415 kg)
Dimensions (L x W x H)	inches	96" x 61" x 65" (2442 mm x 1550 mm x 1640 mm)

Equipment

Product	Order No.	Description
KM 150/500 R Lpg	9.841-404.0	59" ride-on sweeper with Lpg engine

Accessories.



Standard Accessories (included)

Order No.	Description
	Warning Beacon
6.987-083.0	Side Brush, regular
6.987-085.0	Main Roller Brush, regular, 47" (1200 mm) - standard for Bp machine
4.515-329.0	Front Wheel, solid rubber, puncture-proof (set of 2)
6.988-159.0	Flat pleat filter, green, standard

Optional Accessories

Order No.	Description
6.905-773.0	Side Brush, hard
6.905-620.0	Side Brush, soft
6.905-619.0	Side Brush, hard steel bristles
8.636-953.0	Front/Rear Light kit. Factory install only.
8.640-256.0	Comfort Seat
8.640-208.0	Seat Belt
6.987-436.0	Main Roller Brush, hard, 47" (1200 mm)
6.987-437.0	Main Roller Brush, soft, natural 47" (1200 mm)
8.636-989.0	Left Side Broom kit. Factory install only.
6.987-177.0	Flat pleat filter, white
8.638-992.0	Dust control cover for side brush. Factory install only.
8.638-990.0	Overhead Guard. Factory install only.
8.638-991.0	Overhead Guard w/windscreen & wiper. Factory install only.
8.638-975.0	Water spray dust control system (factory install only)



Please contact us for more information:

North America

750 W. Hampden Avenue
Suite 400
Englewood, CO 80110
U.S.A.

Phone 800-456-6649
Fax 303-738-2818

Canada

6535 Millcreek Drive
Unit 67
Mississauga, ON L5N 2M2
Canada

Phone 905-672-8233
Fax 905-672-3155

www.kaercher.com/ca